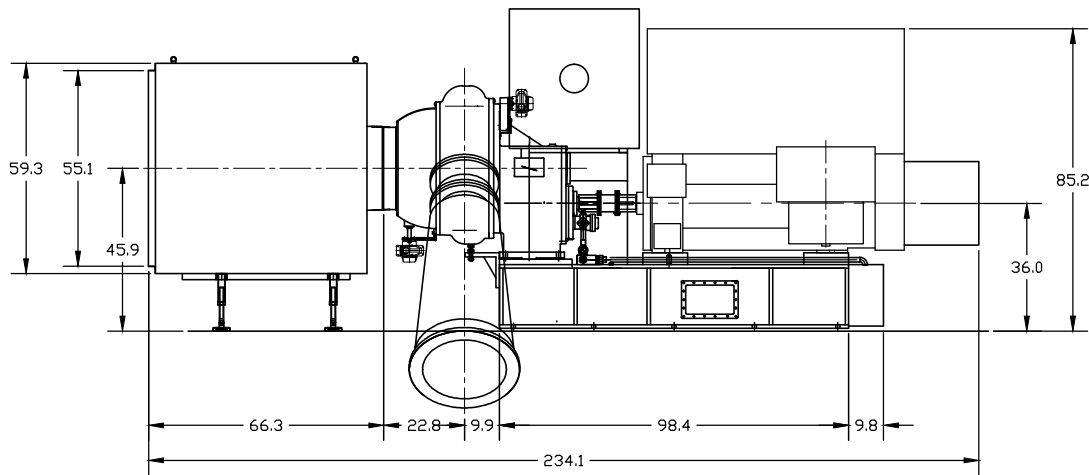
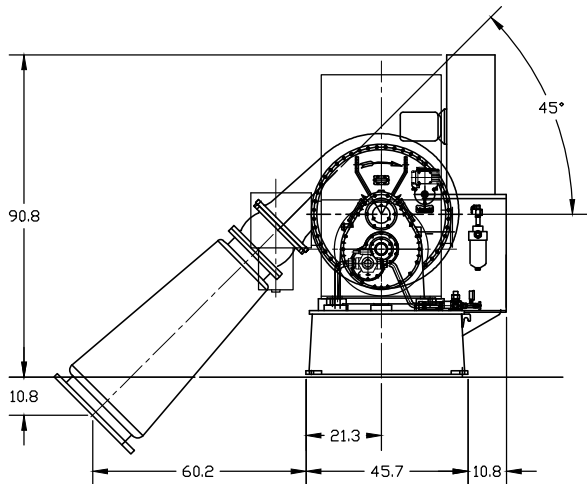
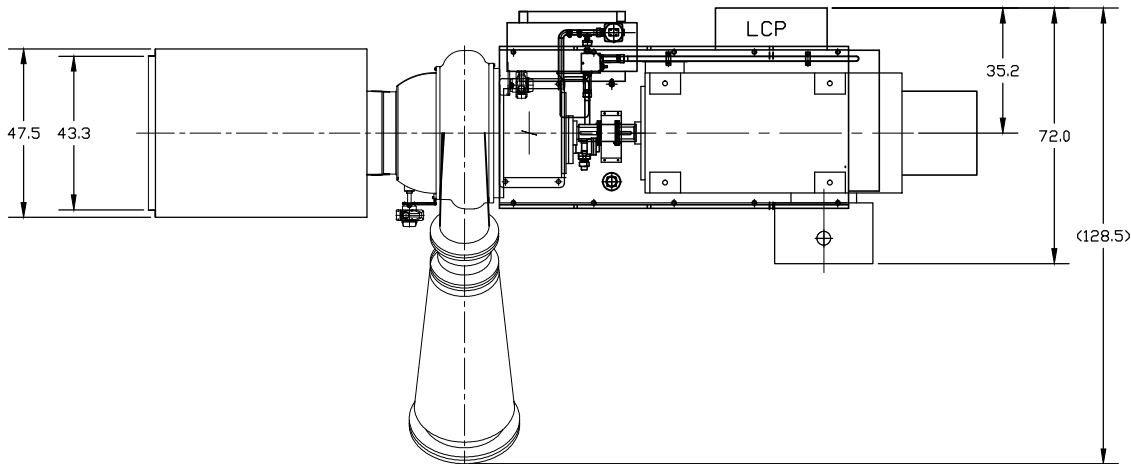



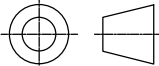
NOTES:

1. BLOWER OUTLET ANGLE ADJUSTABLE EVERY 15°
2. BLOWER INSTALLED BY EXPANSION BOLTS

REVISION HISTORY			
REV	DESCRIPTION	DATE	APPROVED



MOTOR	TOTAL WEIGHT (LBS.)
355kw	17,306

<b>PROPRIETARY NOTICE</b> LONE STAR BLOWER PROPRIETARY RIGHTS ARE INCLUDED HEREIN. THIS INFORMATION MAY NOT BE COPIED, TRANSFERRED, OR DISCLOSED, EXCEPT AS AUTHORIZED BY LONE STAR BLOWER.	UNLESS OTHERWISE SPECIFIED INTERPRET GEOMETRIC DIMENSIONING & TOLERANCING PER ASME Y14.5M-1994 DO NOT SCALE	DRAWING IS FOR REFERENCE ONLY UNLESS SPECIFIED AS RELEASED.		 <b>LONE STAR BLOWER</b>
	MODEL INFO UNSPECIFIED GEOMETRY MAY BE OBTAINED FROM THE DATABASE PROVIDED: (1) NAME & VERSION ARE IDENTICAL TO THAT SPECIFIED BELOW AND (2) STATE IS SPECIFIED AS "RELEASED"	DIMENSIONAL UNITS: INCHES THIRD ANGLE PROJECTION	APPROVALS DRAWN: BW 03-MAY-2015 CHECK: ENGINEER: MANUFACTURING: CONTROL: APPROVED:	
MODEL FILE: GL10-WX-01		SIZE: A SCALE: NTS	CAGE CODE: - DWG NUMBER: GL10-WX-01	REV: 01 SHEET 1 OF 1