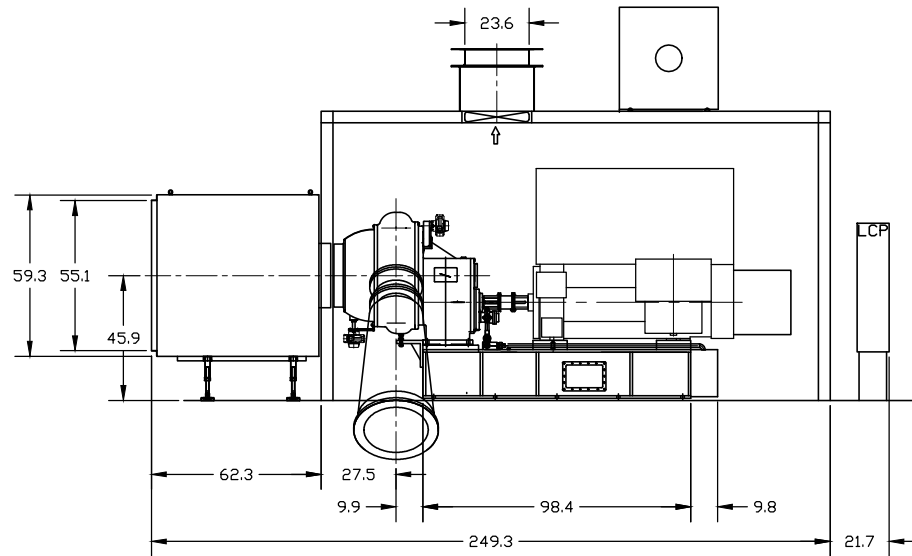
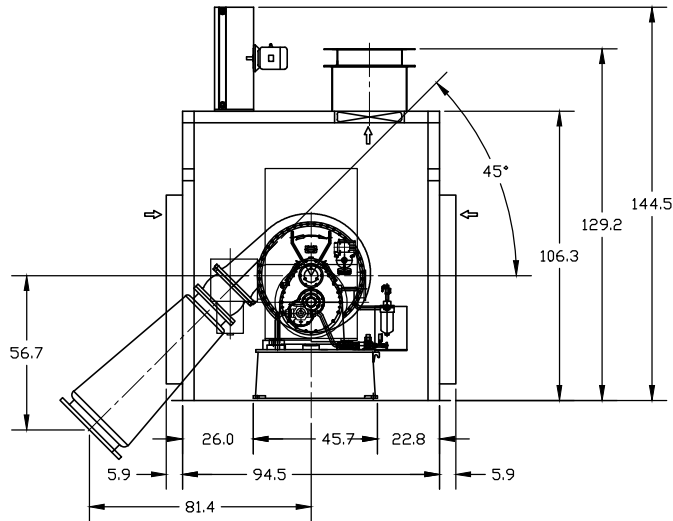
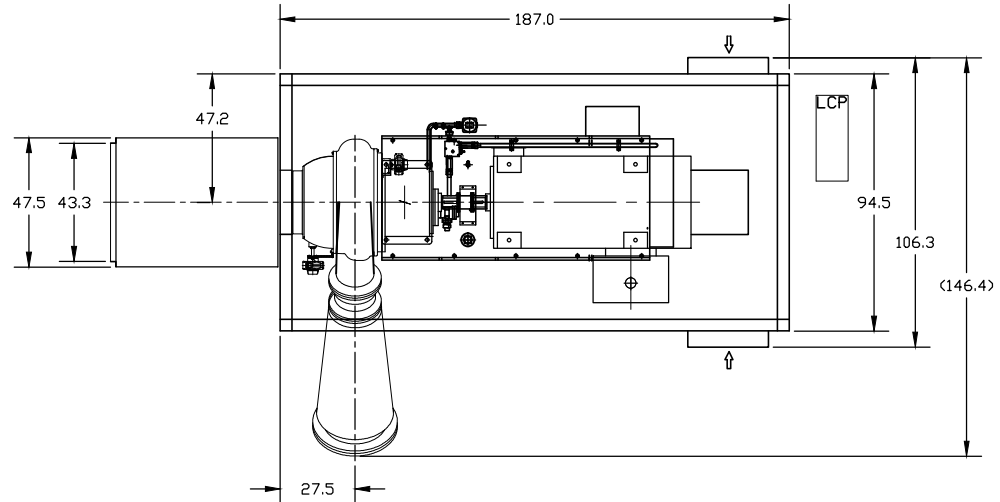



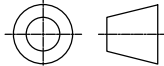
NOTES:

1. BLOWER OUTLET ANGLE ADJUSTABLE EVERY 15° RADIALLY
2. BLOWER INSTALLED BY EXPANSION BOLTS

REVISION HISTORY			
REV	DESCRIPTION	DATE	APPROVED



MOTOR	TOTAL WEIGHT (LBS.)
355kw	16,976

PROPRIETARY NOTICE LONE STAR BLOWER PROPRIETARY RIGHTS ARE INCLUDED HEREIN. THIS INFORMATION MAY NOT BE COPIED, TRANSFERRED, OR DISCLOSED, EXCEPT AS AUTHORIZED BY LONE STAR BLOWER.	UNLESS OTHERWISE SPECIFIED INTERPRET GEOMETRIC DIMENSIONING & TOLERANCING PER ASME Y14.5M-1994 DO NOT SCALE	DRAWING IS FOR REFERENCE ONLY UNLESS SPECIFIED AS RELEASED.		 LONE STAR BLOWER
	MODEL INFO UNSPECIFIED GEOMETRY MAY BE OBTAINED FROM THE DATABASE PROVIDED: (1) NAME & VERSION ARE IDENTICAL TO THAT SPECIFIED BELOW AND (2) STATE IS SPECIFIED AS "RELEASED"	DIMENSIONAL UNITS: INCHES THIRD ANGLE PROJECTION	APPROVALS DRAWN: BW 03-MAY-2015 CHECK: ENGINEER: MANUFACTURING: CONTROL: APPROVED:	
MODEL FILE: GL10-WX-02		SIZE: A SCALE: NTS	CAGE CODE: - DWG NUMBER: GL10-WX-02	REV: 01 SHEET 1 OF 1