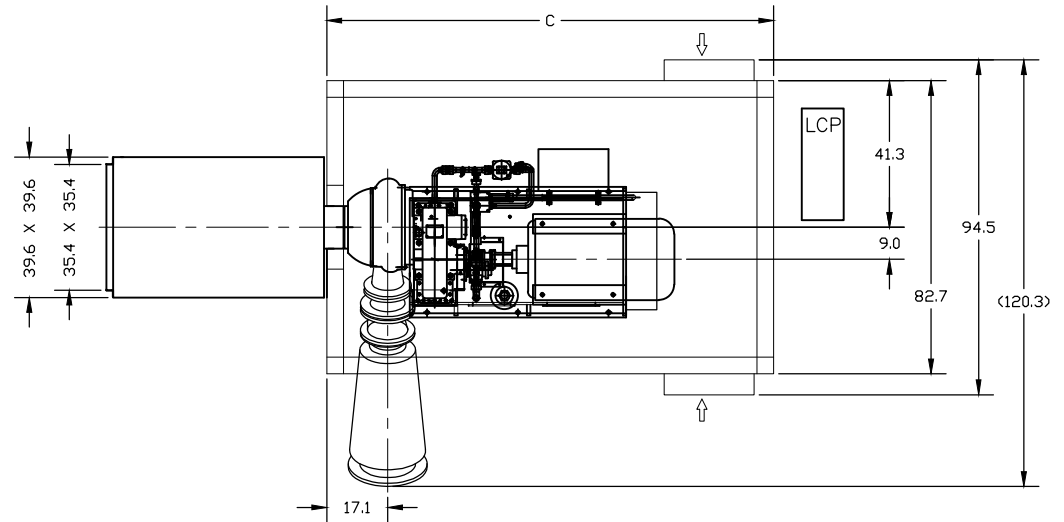
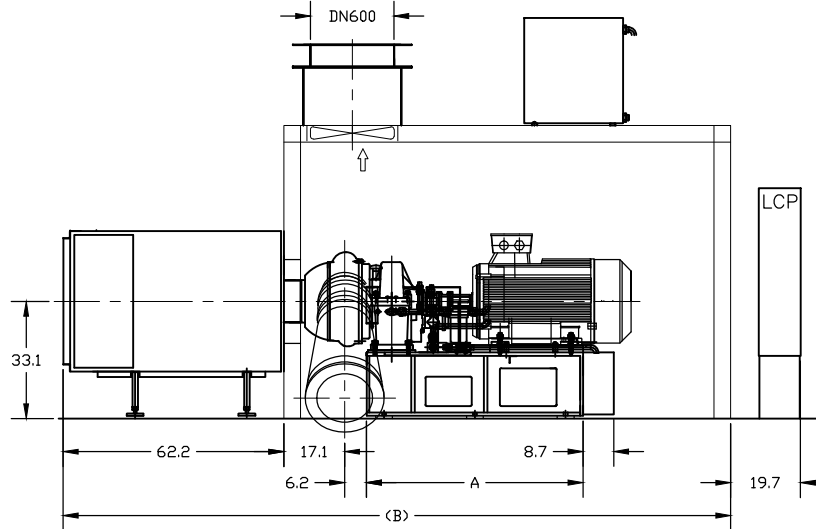
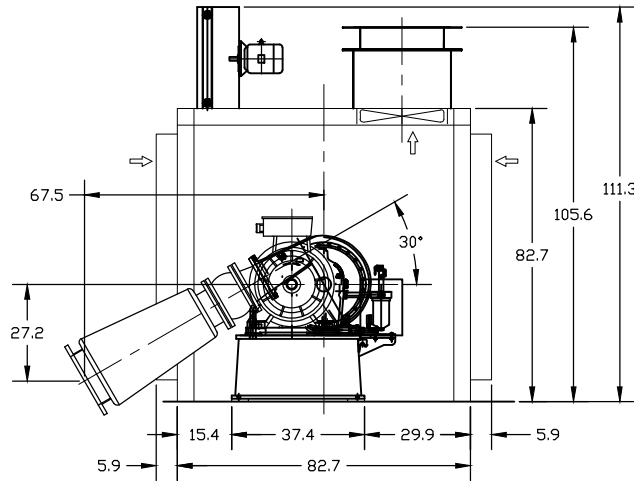


NOTES:

1. BLOWER OUTLET ANGLE ADJUSTABLE EVERY 15° RADIALLY
2. BLOWER INSTALLED BY EXPANSION BOLTS

REVISION HISTORY			
REV	DESCRIPTION	DATE	APPROVED



MOTOR	A	B	C	TOTAL WEIGHT (LBS.)
75kw	55.1	172.4	110.2	5159
90kw	55.1	172.4	110.2	5203
110kw	55.1	172.4	110.2	5578
132kw	60.2	188.2	126	6030
160kw	60.2	188.2	126	6283
185kw	60.2	188.2	126	6526
200kw	60.2	188.2	126	6548
220kw	66.9	192.1	129.9	7970
250kw	66.9	192.1	129.9	8080
280kw	66.9	192.1	129.9	8477
315kw	66.9	192.1	129.9	8499

<p>PROPRIETARY NOTICE</p> <p>LONE STAR BLOWER PROPRIETARY RIGHTS ARE INCLUDED HEREIN. THIS INFORMATION MAY NOT BE COPIED, TRANSFERRED, OR DISCLOSED, EXCEPT AS AUTHORIZED BY LONE STAR BLOWER.</p>	<p>UNLESS OTHERWISE SPECIFIED</p> <p>INTERPRET GEOMETRIC DIMENSIONING & TOLERANCING PER ASME Y14.5M-1994</p> <p>DO NOT SCALE</p>	<p>DRAWING IS FOR REFERENCE ONLY UNLESS SPECIFIED AS RELEASED.</p>																		
<p>MODEL INFO</p> <p>UNSPECIFIED GEOMETRY MAY BE OBTAINED FROM THE DATABASE PROVIDED: (1) NAME & VERSION ARE IDENTICAL TO THAT SPECIFIED BELOW AND (2) STATE IS SPECIFIED AS "RELEASED"</p>	<p>DIMENSIONAL UNITS: INCHES</p> <p>THIRD ANGLE PROJECTION</p>	<p>APPROVALS</p> <table border="1"> <tr> <td>DRAWN</td> <td>BW</td> <td>14-MAR-2015</td> </tr> <tr> <td>CHECK</td> <td> </td> <td> </td> </tr> <tr> <td>ENGINEER</td> <td> </td> <td> </td> </tr> <tr> <td>MANUFACTURING</td> <td> </td> <td> </td> </tr> <tr> <td>CONTROL</td> <td> </td> <td> </td> </tr> <tr> <td>APPROVED</td> <td> </td> <td> </td> </tr> </table>	DRAWN	BW	14-MAR-2015	CHECK			ENGINEER			MANUFACTURING			CONTROL			APPROVED		
DRAWN	BW	14-MAR-2015																		
CHECK																				
ENGINEER																				
MANUFACTURING																				
CONTROL																				
APPROVED																				
<p>MODEL FILE: GL3-WX-02</p>																				

LONE STAR BLOWER

TITLE

GL3-WX-02

WITH SOUND ENCLOSURE

SIZE	CAGE CODE	DWG NUMBER	REV
A	-	GL3-WX-02	01

SCALE NTS

SHEET 1 OF 1