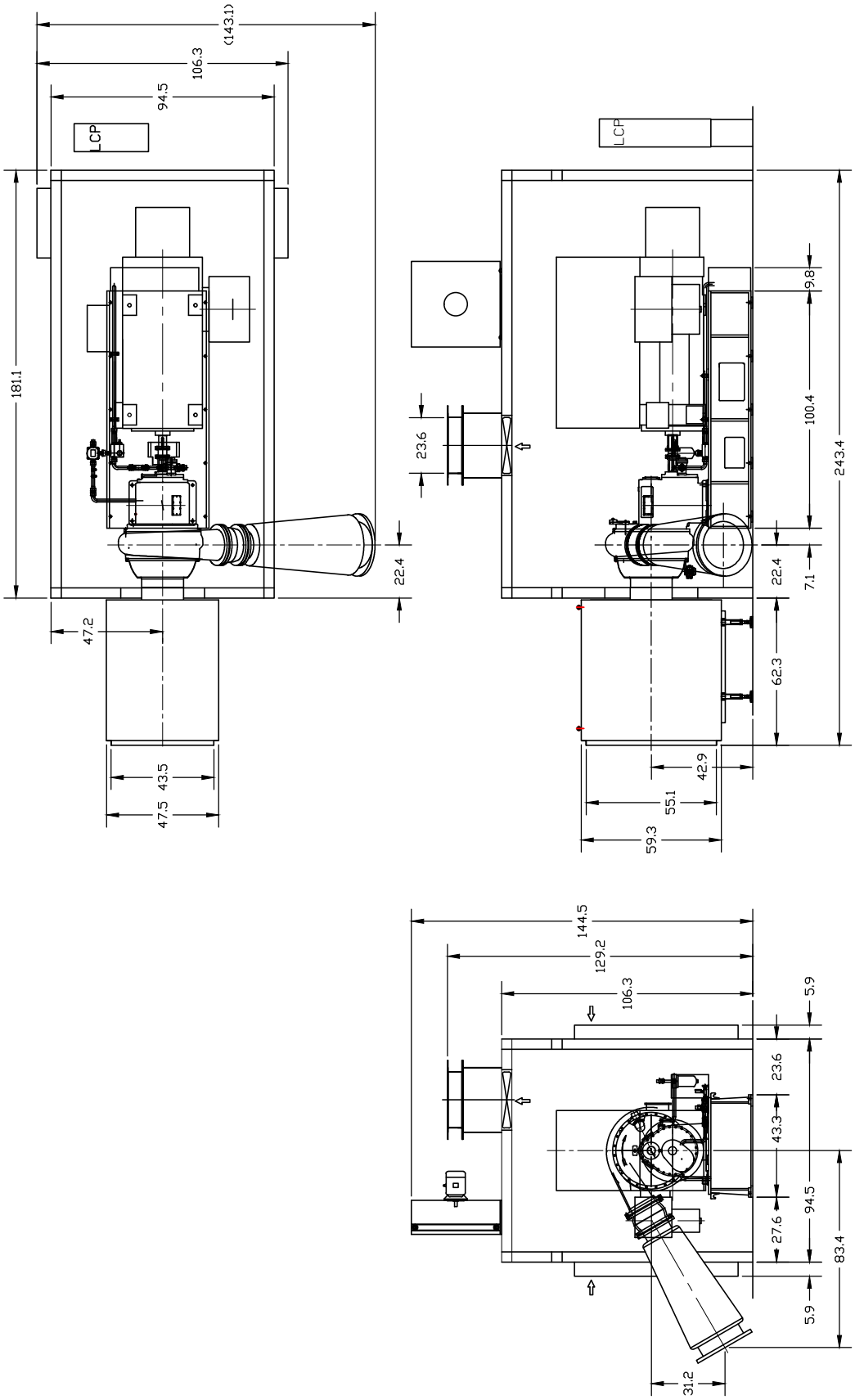


NOTES:

1. BLOWER OUTLET ANGLE ADJUSTABLE EVERY 15° RADIALLY
2. BLOWER INSTALLED BY EXPANSION BOLTS

REVISION HISTORY		
REV	DESCRIPTION	DATE



<p>UNLESS OTHERWISE SPECIFIED INTERPRET GEOMETRIC DIMENSIONS & TOLERANCING PER ASME Y14.5M-1994</p>		<p>DRAWING IS FOR REFERENCE ONLY UNLESS SPECIFIED AS RELEASED.</p>		<p>APPROVALS</p>	
<p>PROPRIETARY NOTICE LONE STAR BLOWER PROPRIETARY RIGHTS ARE INCLUDED HEREIN. THIS INFORMATION MAY NOT BE COPIED, TRANSFERRED, OR DISCLOSED, EXCEPT AS AUTHORIZED BY LONE STAR BLOWER.</p>		<p>DO NOT SCALE</p>		<p>DATE: 03-MAY-2015</p>	
<p>MODEL INFO UNSPECIFIED GEOMETRY MAY BE OBTAINED FROM THE DATABASE PROVIDED BY THE MANUFACTURER IDENTICAL TO THAT SPECIFIED BELOW AND (2) STATE IS SPECIFIED AS "RELEASED"</p>		<p>DIMENSIONAL UNITS: INCHES</p>		<p>DRAWN: BW</p>	
<p>THIRD ANGLE PROJECTION</p>		<p>CHECK: []</p>		<p>ENGINEER: []</p>	
<p>MANUFACTURING CONTROL</p>		<p>APPROVED: []</p>		<p>SCALE: NTS</p>	
<p>TITLE: LONE STAR BLOWER</p>		<p>MODEL FILE: GL8-WX-02</p>		<p>SHEET 1 OF 1</p>	
<p>WITH SOUND ENCLOSURE</p>		<p>GL8-WX-02</p>		<p>GL8-WX-02</p>	
<p>MOTOR TOTAL WEIGHT (LBS.): 355kw</p>		<p>15,763</p>		<p>REV: 01</p>	