

GL-1

Integrally Geared Single Stage Blower



LONE STAR TURBO

MODEL GL-1

Standard Specifications

Gas	Air, Steam, H2S, Biogas, Fuel Gas, CO2, N2, LNG, Custom
Flow Range	100% to 35% of Rated Flow with Combination Control
Pressure Range	Up to 30 PSIG / 2 bar
Maximum Case Pressure	50 PSIG / 3.5 bar
Stages	Single Stage
Drive Type	Direct Coupled
Power Driver Options	Electric Motor, Steam Turbine, Combustion Engine
Gearbox	Helical Gear Set
Cooling Lubricant	Lubricant Cooling (Air or Liquid)
Lubrication Options	Pressurized Oil
Bearings	Pinion - Tilt Pad Journal, Drive Journal
Enclosure	Optional
Sound Level	Job Specific
Sound Level with Enclosure	Job Specific
Filtration Rating (std)	99% at 2 micron, or as required
Seals Air	Labyrinth Type

Standard Materials of Construction

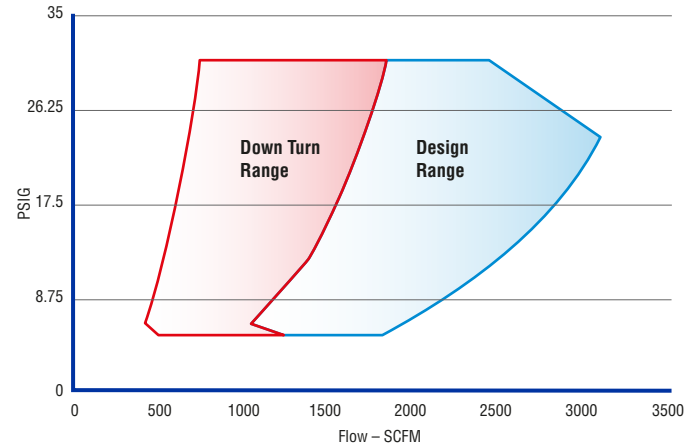
Casing	Grey Iron GG25, Ductile, ASTM A536, A48 or Equal
Bearings	ANSI 5140 Steel, Babbited, 40CR Alloy Casing
Impeller	AlCu2MgNi Alloy (annodized), 17-4PH, Titanium, Inconel
Inlet Guide Vanes	Stainless Steel 316
Discharge Diffuser Vanes	Stainless Steel 316
Gears	AISI 8620, Steel 10CrNiMo to AGMA 12/13
Shaft	Steel 10CrNiMo
Seals Air	ASTM B86 Z25631 Zinc Alloy Aluminum
Seals Gas	ASTM C695 Molded Graphite
Blower Base Skid	ASTM A36 Structural Steel
Isolation Pads	St. SIS 1312 inertial dampening with rubber hardness 60
Finish	2 Part Epoxy Lone Star Blue RAL5005
Enclosure	Aluminum, Galvanized Steel, Stainless

Optional Testing & Certifications

API	API 617, API 672, API 614
Electrical	UL 508A, CE, CSA
Hazardous Location	ATEX, Class1 - Division 1- Division 2, Zone 0-2
Balancing	ISO 1940 - G2.5, ~4W/N API
Noise Level	OSHA 1910.95, ISO 2151:2004
Performance	ASME PTC-10, PTC-13, ISO 5389
Hydro Testing	1.5 Time MAWP
Overspeed Testing	Optional
Positive Material ID	XRF, OES, Material Certification
NACE Compliance	Optional
Special Coatings	Optional

Service

Air, Gas, Pressure, Vacuum

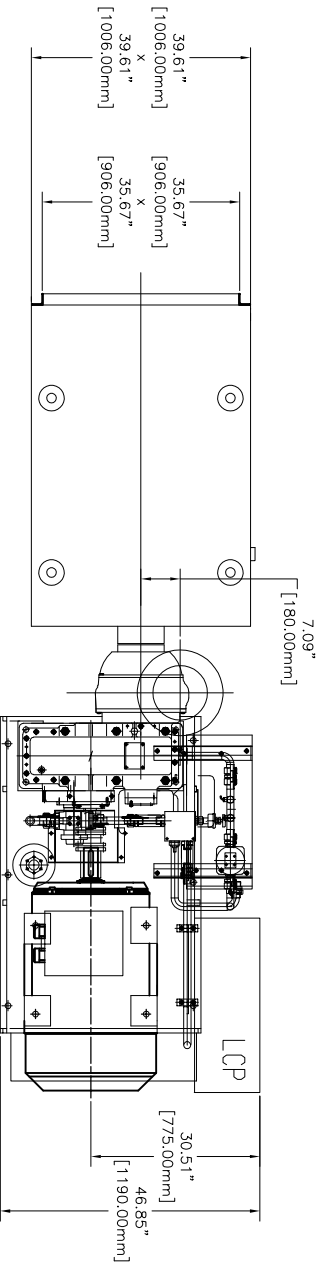
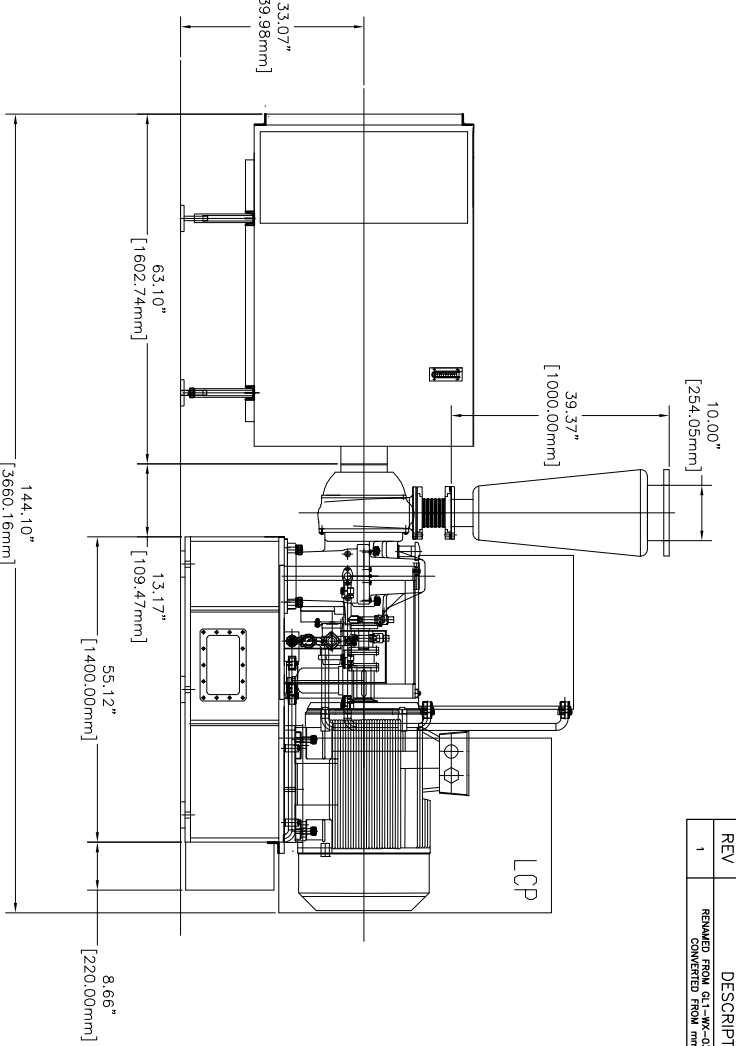
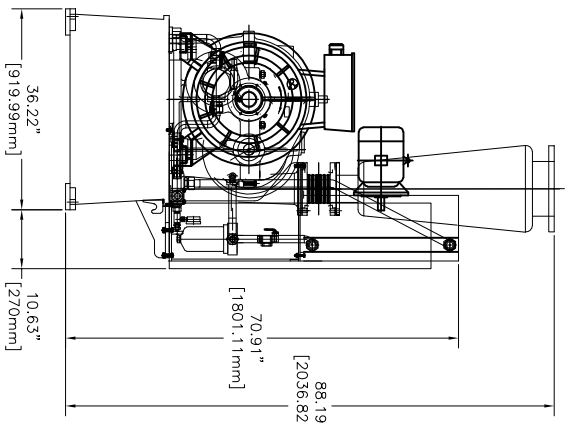


Control Options

Control Methods	Variable Inlet and Discharge Guide Vane, speed control, blow off, or combination
Local Controller	sLOC™ Standard - Custom for Allen Bradley, Modicon, Siemens or Other
HMI	sLOC™ Standard or Custom HMI
Remote Monitoring	sLINK™ or Custom
Control Set Points	Pressure, Flow, Power, Custom Input




REVISION HISTORY		
REV	DESCRIPTION	DATE
1	REMOVED FROM GL1-WX-03 TO GL1-WX-01; CONVERTED FROM MM TO INCHES	5/28/2016



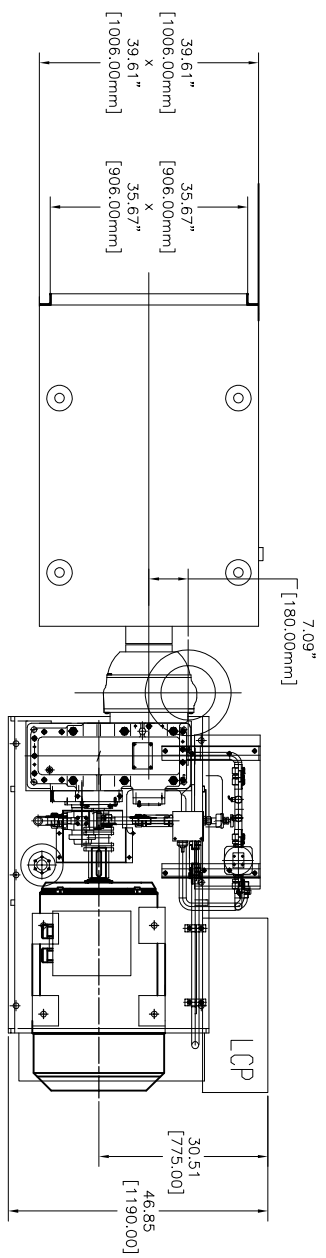
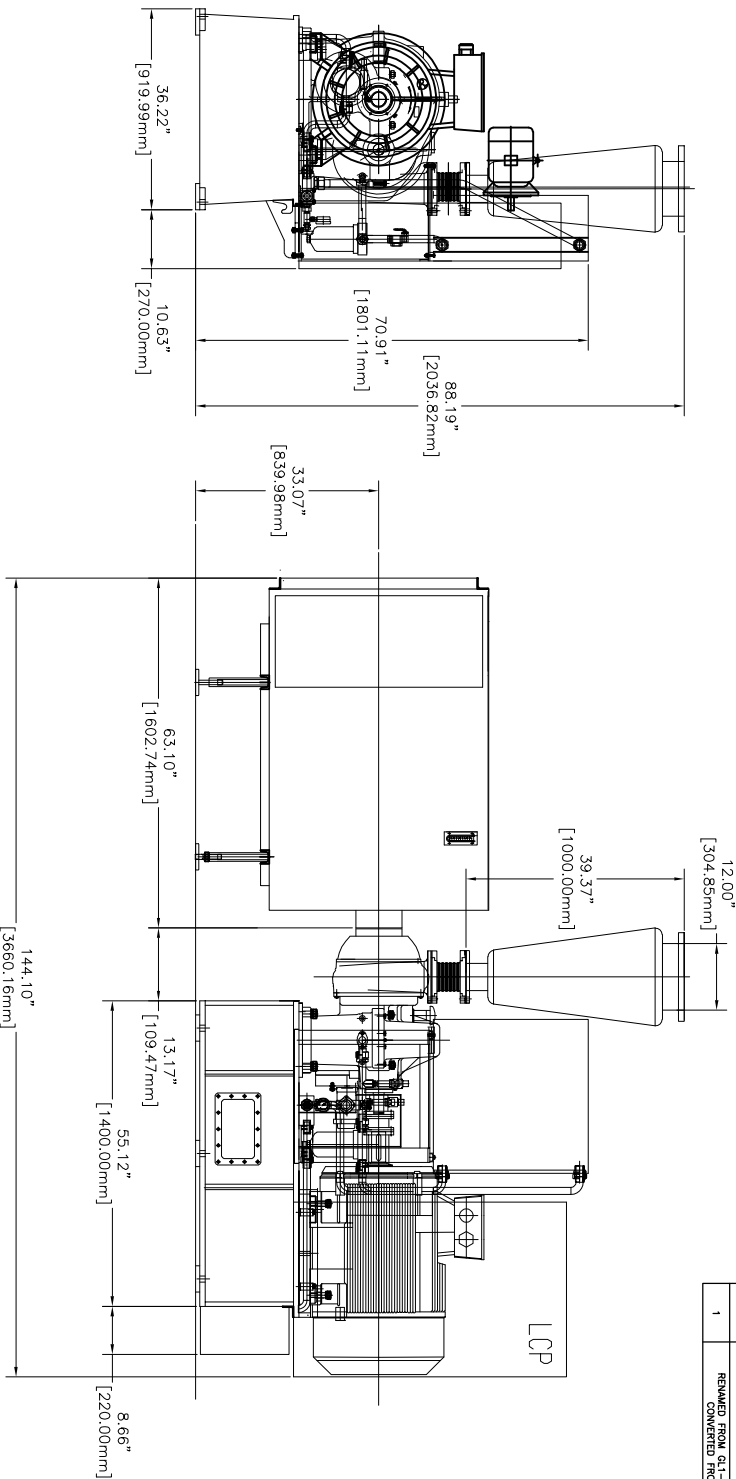
DIMENSIONS & WEIGHTS BY MOTOR SIZE		
MOTOR	"A"	"B"
100HP	55.12	144.10
125HP	55.12	144.10
		WEIGHT (LBS)
		5,148
		5,192



DRAWING IS FOR REFERENCE ONLY UNLESS SPECIFIED AS RELEASED.		APPROVALS	
DRAWN	JC	05/28/2016	
CHECK			
ENGINEER			
MANUFACTURING			
CONTROL			
APPROVED			
 LONE STAR BLOWER		TITLE	
GL-1 GEARED TURBO		GL-1 GEARED TURBO	
GENERAL ASSEMBLY 10" CONE		GENERAL ASSEMBLY 10" CONE	
SIZE	A	DWG NUMBER	GL1-WX-01
SCALE		SHEET	1 OF 1
		REV	01

REV	DESCRIPTION	DATE	APPROVED
1	REMOVED FROM GL1-WX-03 TO GL1-WX-01 CONVERTED FROM MM TO INCHES	5/28/2016	

REVISION HISTORY



DIMENSIONS & WEIGHTS BY MOTOR SIZE

MOTOR	"A"	"B"	WEIGHT (LBS)
100HP	55.12	144.10	5,148
125HP	55.12	144.10	5,192

DRAWING IS FOR REFERENCE ONLY
UNLESS SPECIFIED AS RELEASED

APPROVALS

DRAWN	JC	05/28/2016
CHECK		
ENGINEER		
MANUFACTURING		
CONTROL		
APPROVED		



TITLE

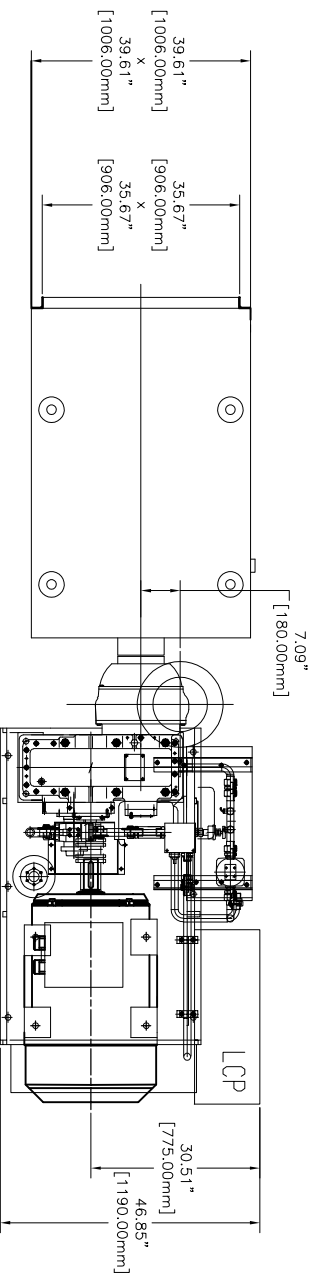
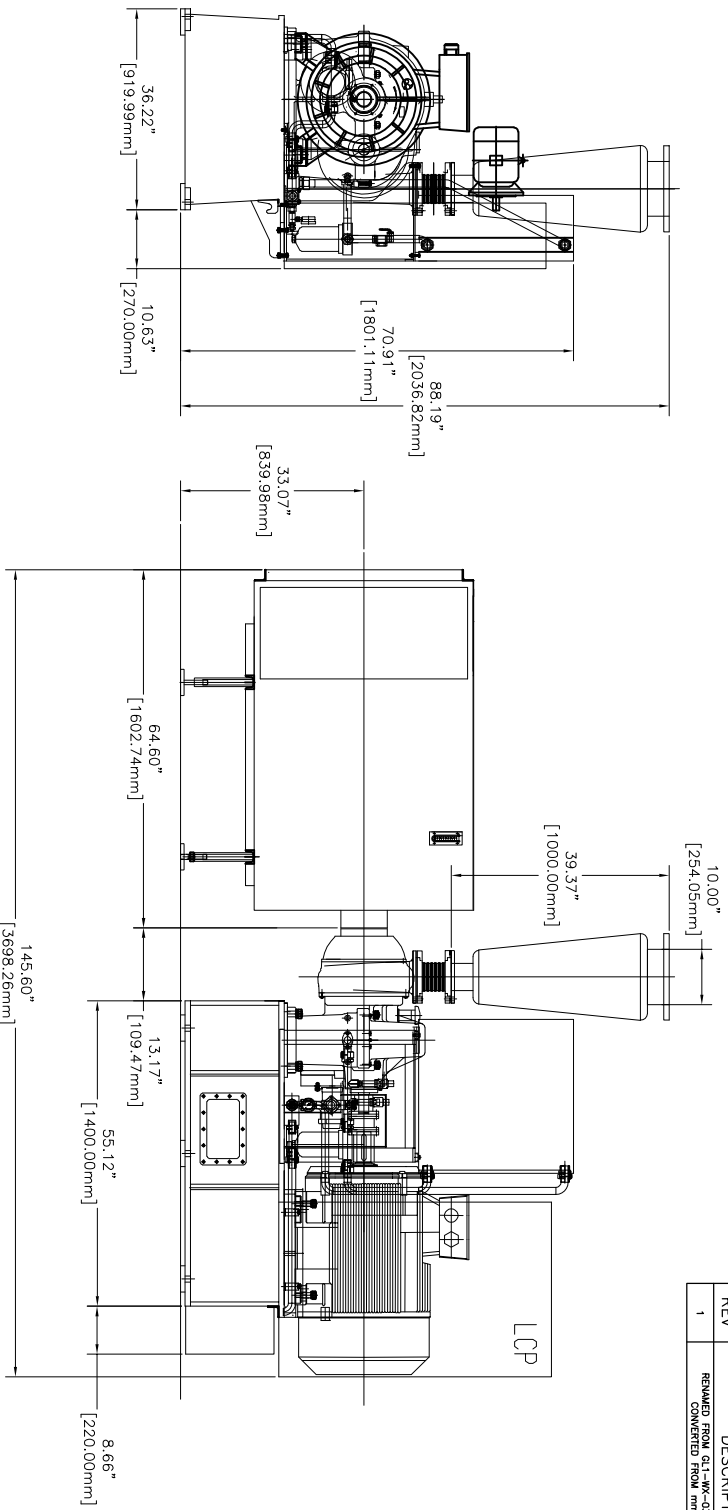
LONE STAR BLOWER

GL-1 GEARED TURBO
GENERAL ASSEMBLY 12" CONE



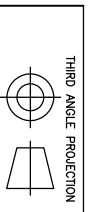
SIZE	A	DWG NUMBER	GL1-WX-01	REV	01
SCALE				SHEET	1 OF 1

REVISION HISTORY		
REV	DESCRIPTION	DATE
1	REMOVED FROM GL1-WX-03 TO GL1-WX-01; CONVERTED FROM mm TO INCHES	5/28/2016

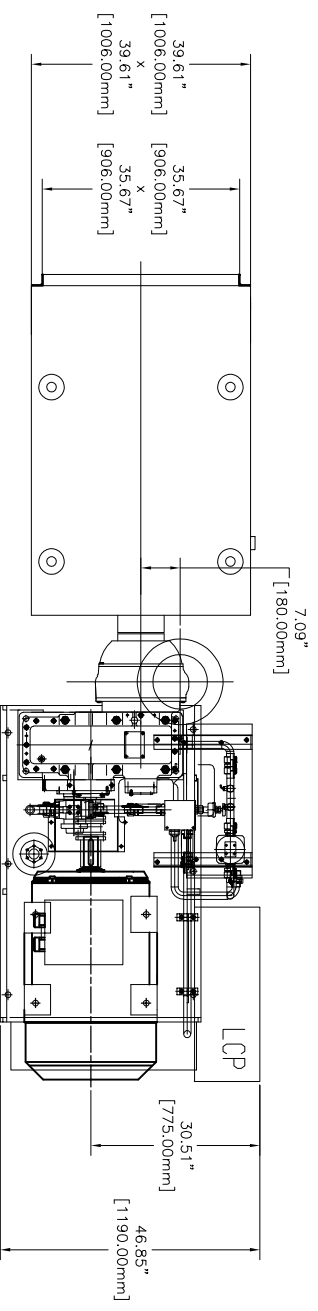
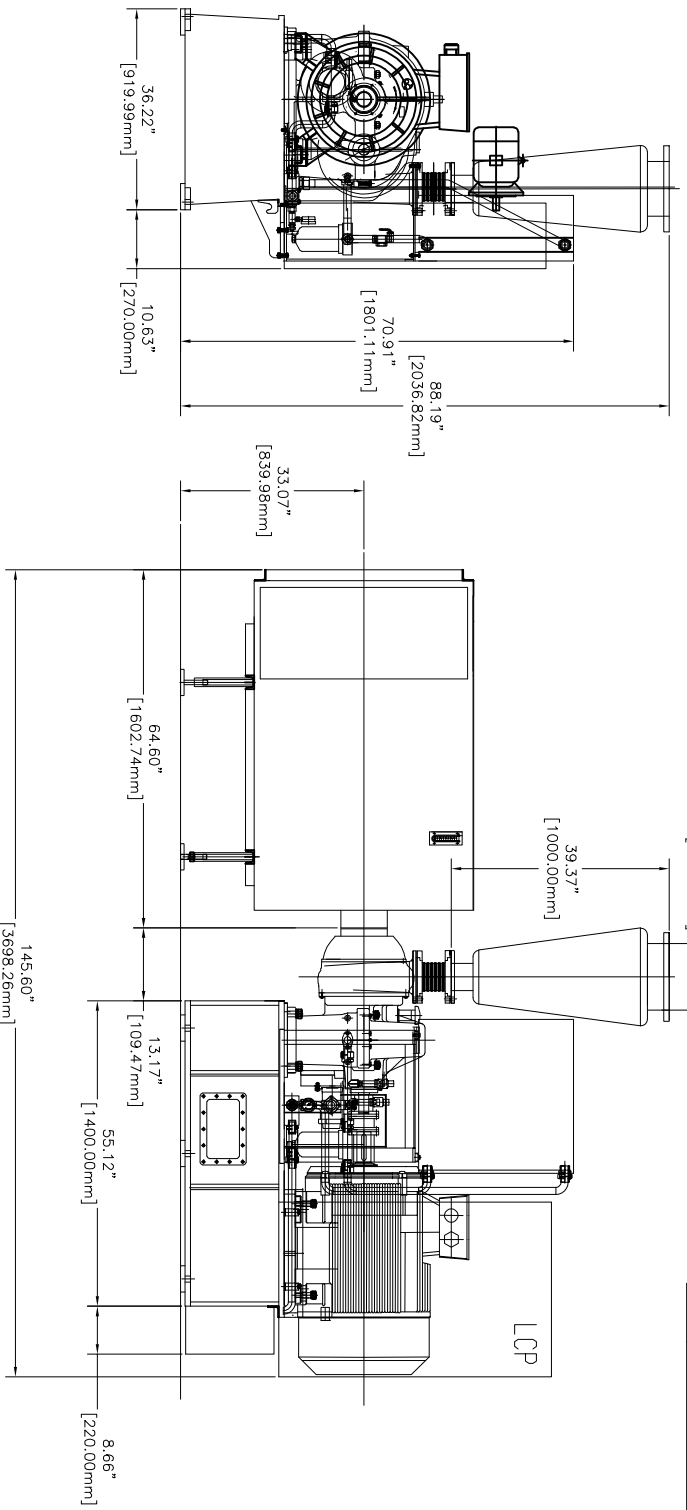



DRAWING IS FOR REFERENCE ONLY UNLESS SPECIFIED AS RELEASED.			
APPROVALS			
DRAWN	JC	05/28/2016	
CHECK			
ENGINEER			
MANUFACTURING			
CONTROL			
APPROVED			
		TITLE	
LONE STAR BLOWER		GL-1 GEARED TURBO	
GENERAL ASSEMBLY 10" CONE		SIZE	
A		DWG NUMBER	
GL1-WX-01		REV	
SCALE		SHEET 1 OF 1	

DIMENSIONS & WEIGHTS BY MOTOR SIZE		
MOTOR	"A"	"B"
150HP	55.12	145.60
		WEIGHT (LBS)
		5.357



REVISION HISTORY		
REV	DESCRIPTION	DATE
1	REMOVED FROM GL1-WX-03 TO GL1-WX-01 CONVERTED FROM MM TO INCHES	5/28/2016
		APPROVED



DRAWING IS FOR REFERENCE ONLY UNLESS SPECIFIED AS RELEASED.		APPROVALS		 LONE STAR BLOWER
DRAWN	JC	05/28/2016		
CHECK				
ENGINEER				
TITLE				GL-1 GEARED TURBO GENERAL ASSEMBLY 12" CONE
MANUFACTURING		SIZE	A	
CONTROL		DWG NUMBER	GL1-WX-01	
APPROVED		SCALE	SHEET 1 OF 1	REV 01

DIMENSIONS & WEIGHTS BY MOTOR SIZE		
MOTOR	"A"	"B"
150HP	55.12	145.60
		WEIGHT (LBS)
		5.357

