

LS-24

Multistage Centrifugal Turbo Blower



MODEL LS-24

Standard Specifications

Gas	Air, CO ₂ , Biogas, Steam, H ₂ S, Fuel Gas, N ₂ , LNG, Custom
Flow Range	100% to 45% of Rated Flow*
Pressure Range	20 PSIG / 1379 mbar Delta
Maximum Case Pressure	45 PSIG / 3.1 bar
Stages	1 to 6 (7 at 50Hz)
Drive Type	Direct Coupled, Belt Drive
Power Driver Options	Electric 2-Pole Motor, Steam Turbine, Combustion Engine
Cooling	Self Cooled Air, Integral Fan
Lubrication Options	Splash Lubricated Oil, or Mist Connections
Bearings	Anti-friction type AFBMA L10 up to 300,000 hrs
Enclosure	Optional
Sound Level	< 85 dba*
Sound Level with Enclosure	Job Specific
Filtration Rating (std)	98% at 10 micron, or as required
Seals Air	Labyrinth Type
Seals Gas	Carbon Ring with Purge, Custom Available
Shaft End Dimension	3.625 in (92.08 mm) diameter at coupling
Inlet / Outlet Flange Size	24" / 18" ASA 125# / ANSI 150# Drilling, Optional DIN 600/450 Adapter Flange

Control Options

Control Methods	Variable inlet valve, speed control, blow off, or combination
Local Controller	sLOC™ Standard - Custom for Allen Bradley, Modicon, Siemens or Other
HMI	sLOC™ Standard or Custom HMI
Remote Monitoring	sLINK™ or Custom
Control Set Points	Pressure, Flow, Power, Custom Input

Standard Materials of Construction

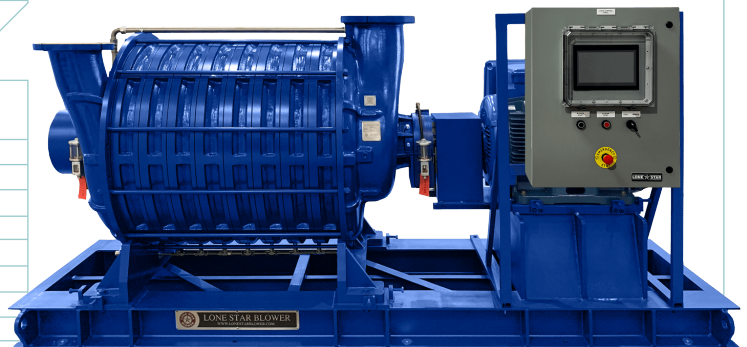
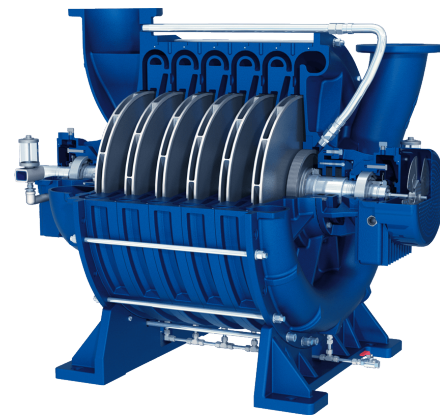
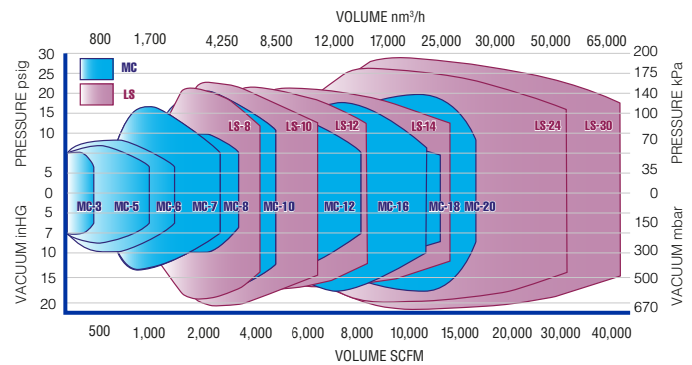
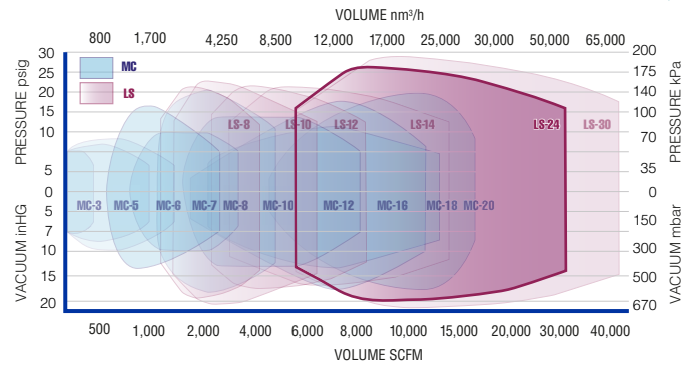
Casing, Volute	ASTM A48 Class 25/30 Cast Iron, Ductile
Bearing Housings	ASTM A48 Class 25/30 Cast Iron, Ductile
Impeller	ASTM A365 T6 Cast Aluminum, ASTM AA-6061 Fabricated, Stainless
Shaft	ASTM A109 1045~, Stainless Steel
Seals Air	ASTM B86 Z25631 Zinc Alloy, Aluminum
Seals Gas	ASTM C695 Molded Graphite
Joint Sealing of Casings	RTV Silicon or O-Ring
Blower Base Skid	ASTM A36 Structural Steel
Isolation Pads	Neoprene Rubber
Finish	2 Part Epoxy Lone Star Blue RAL5005

Optional Testing & Certifications

API	API 617, API 672 Features
Electrical	UL 508A, CE, CSA, Other
Hazardous Location	ATEX, Class1 - Division 1- Division 2, Zone 0-2
Balancing	ISO 1940, G2.5 grade
Noise Level	OSHA 1910.95, ISO 2151:2004
Performance	ASME PTC-10, PTC-13, ISO 5389
Hydro Testing	1.5 Time MAWP
Overspeed Testing	Optional
Positive Material ID	XRF, OES, Material Certification
NACE Compliance	Optional
Special Coatings	Optional

Service

Air, Gas, Pressure, Vacuum

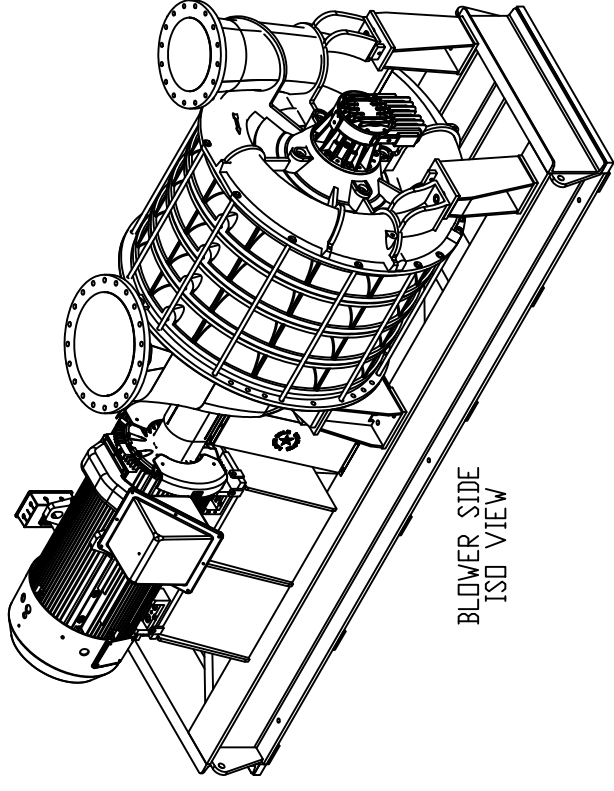
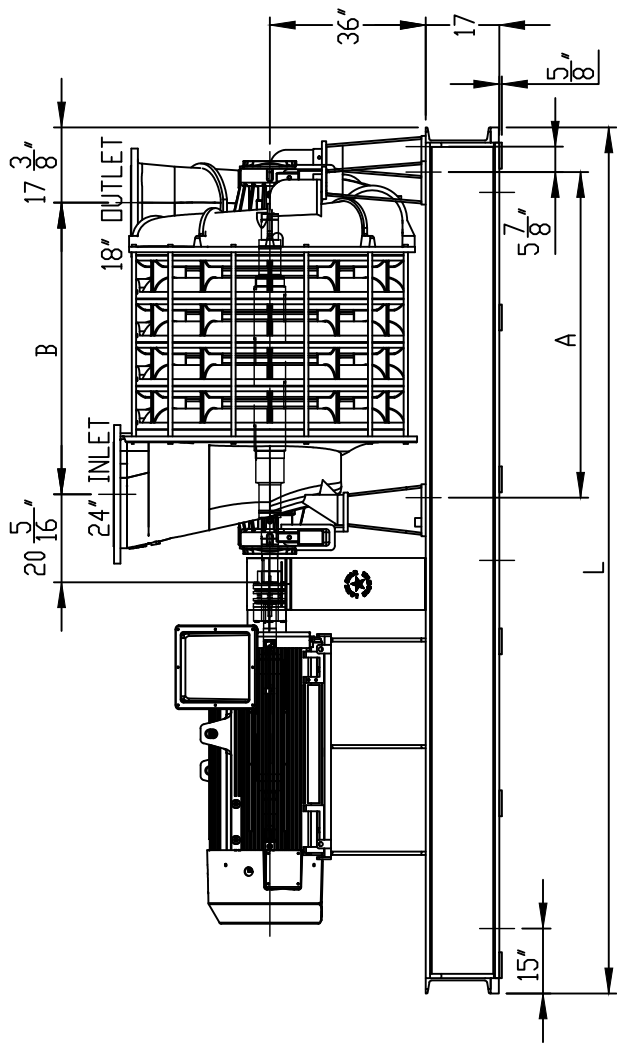
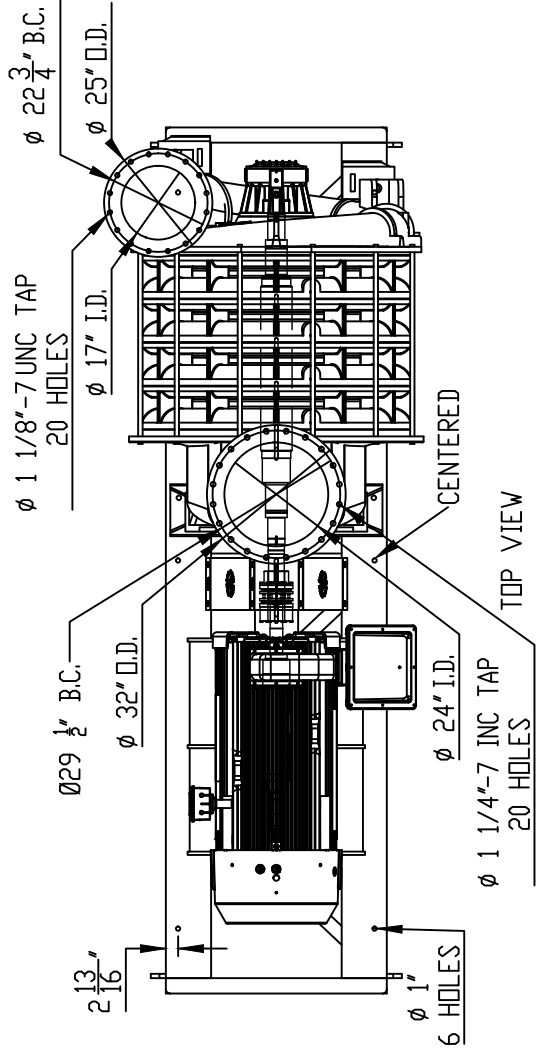


* Information is approximate and can change without notice
* Air Performance Based on 1 Atm, 68F/20C, 36% RH and 3550 rpm

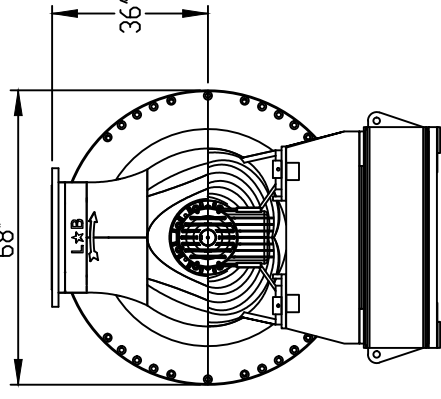
PACKAGED DIMENSIONS			
MODEL	A*	B*	L†
LS24-1	34.98 (888)	27.10 (688)	154 (3912)
LS24-2	45.04 (1144)	37.16 (944)	160 (4064)
LS24-3	55.10 (1340)	47.22 (1199)	170 (4318)
LS24-4	65.16 (1655)	57.28 (1455)	180 (4572)
LS24-5	75.22 (1911)	67.34 (1710)	190 (4826)
LS24-6	85.28 (2166)	77.40 (1966)	200 (5080)

*DIMENSIONS ARE SHOWN IN INCHES (AND MILLIMETERS) ARE APPROXIMATE. DO NOT USE FOR CONSTRUCTION PURPOSES.

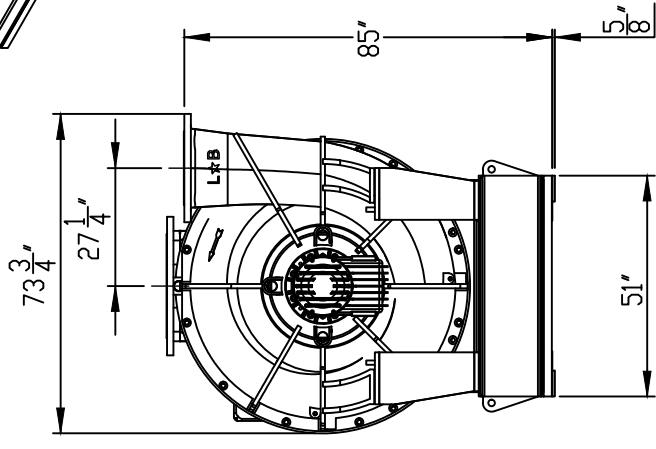
†DIMENSIONS VARY DEPENDING ON COUPLING & MOTOR FRAME SIZE.



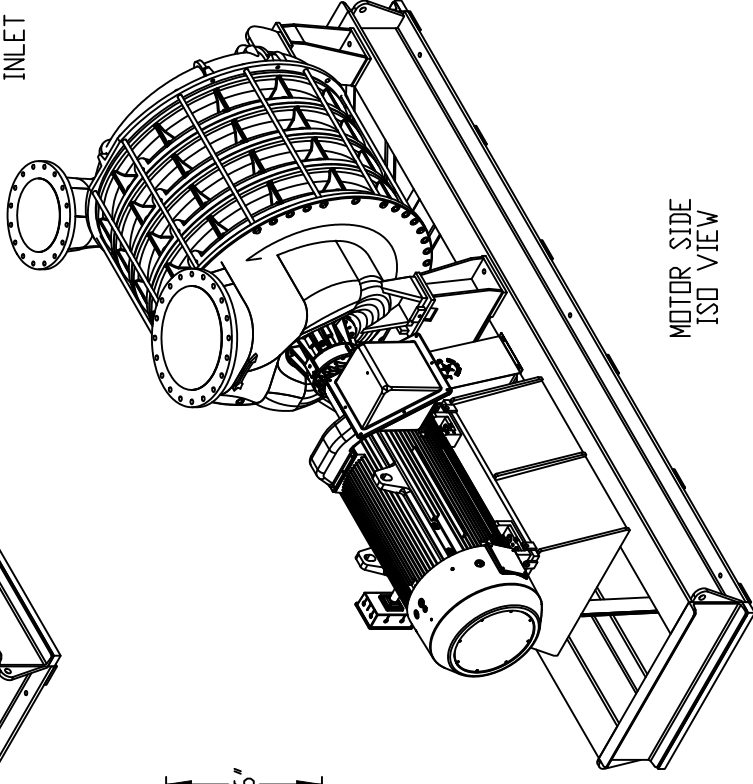
BLOWER SIDE ISO VIEW



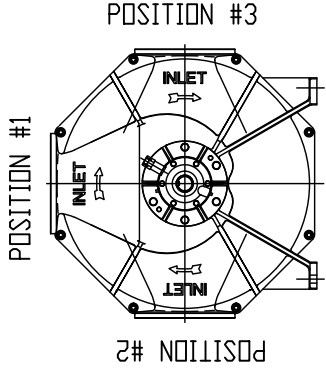
INLET VIEW



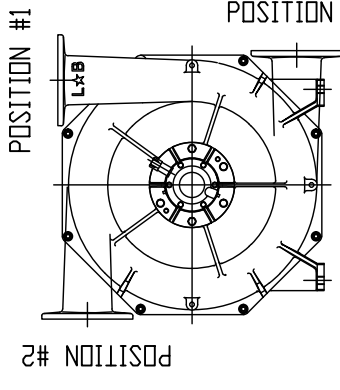
OUTLET VIEW



MOTOR SIDE ISO VIEW



POSITION #2 POSITION #3



POSITION #1 POSITION #3

INLET & OUTLET ORIENTATION OPTIONS THE ORIENTATION OF THE INLET AND OUTLET IS SELECTABLE FROM ANY OF THE THREE DIFFERENT POSITIONS, AS VIEWED WHEN FACING THE EXTERIOR OF THE PARTS.

OUTLET VIEW

INLET VIEW

INERTIA BASED ON CAST IMPELLERS. APPROXIMATE WEIGHT FOR BLOWER AND SKID MINUS MOTOR.

MODEL	WEIGHT		Kg	LB-ft ²	Kg-m ²
	LB	Kg			
LS24-1	15947	7233	74	3.12	
LS24-2	18154	8235	126	5.31	
LS24-3	20533	9314	179	7.54	
LS24-4	23112	10483	232	9.78	
LS24-5	24892	11291	284	11.97	
LS24-6	27272	12370	337	14.20	

DRAWING IS FOR REFERENCE ONLY UNLESS SPECIFIED AS APPROVED

ALL DIMENSIONS ARE IN INCHES UNLESS OTHERWISE SPECIFIED

STANDARD TOLERANCES
 X ±.015
 .XX ±.010
 .XXX ±.005
 X/X ±1/16
 ANGLES ±1°

REMOVE BURRS AND BREAK ALL SHARP EDGES 125° MACHINED SURFACES

THIRD ANGLE PROJECTION



LS 24
MULTISTAGE TURBO

SIZE B

DWG. NO. MARKETING

REV 0

SCALE: 1:20

DO NOT SCALE

SHEET 1 OF 1