

MAX15

Gearless High Speed Turbo Blower



MODEL MAX15-C060

Standard Specifications

Gas	Air Only
Flow Range	100% to 45% of Rated Flow*
Maximum Case Pressure	35 PSIG / 2.4 bar
VFD (integral)	Vacon, KEB, Yaskawa
Stages	Single Stage
Power Driver Options	Intregal Permanent Magnet Electric Motor
Cooling	Self Cooled Air Cooled
Bearings	NSTB+ Air Foil
Enclosure	Standard
Sound Level	75 dB @ 3 feet free field
Filtration Rating (std)	99% at 2 micron, or as required

Control Options

Control Methods	Speed Control, Blow Off Control, Pressure, Flow
Local Controller	sLOC™ Standard - Custom for Allen Bradley, Modicon, Siemens or Other
HMI	sLOC™ Standard or Custom HMI
Remote Monitoring	sLINK™ or Custom
Control Set Points	Pressure, Flow, Power, Custom Input

Standard Materials of Construction

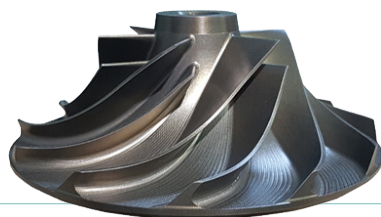
Casing	A356 Cast Aluminum
Volute	A356 Cast Aluminum
Bearings	Inconel with Teflon, Nano Silver Coatings
Impeller	5 Axis Machined anodized 7075 Aluminum
Shaft	Titanium alloy with Sm2CO17 Magnets
Blower Base Skid	ASTM A36 Structural Steel
Isolation Pads	Adjustable Feet with Mounting Anchor
Finish	Powder Coated Cabinet

Optional Testing & Certifications

Electrical	UL 508A, UL 1450, CSA, CE, IEEE519
Hazardous Location	Not Classified
Balancing	ISO 1940 - G2.5, ~4W/N API
Noise Level	OSHA 1910.95, ISO 2151:2004
Performance Testing	ASME PTC-10, PTC-13, ISO 5389

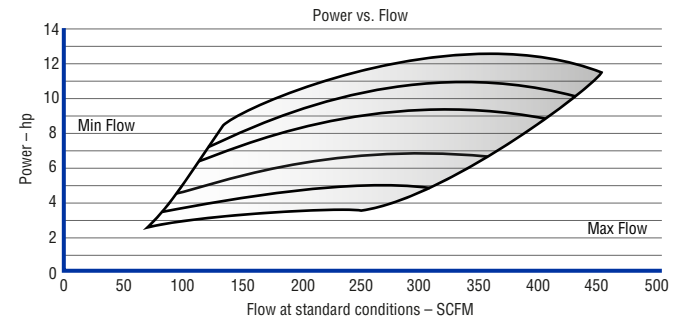
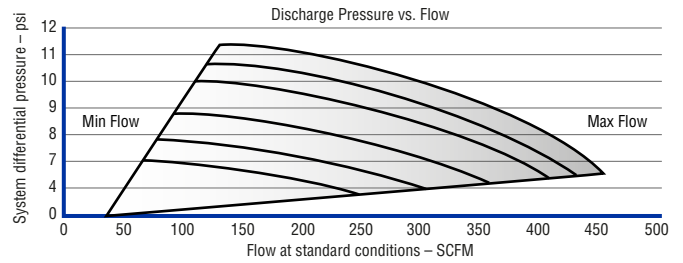
Standard Options

- High and Low Ambient Temperature
- Separated Electrical and Mechanical Enclosure
- Flanged Intake
- Outdoor Enclosure
- Dual and Duplex Options
- Harmonic Filter



Service

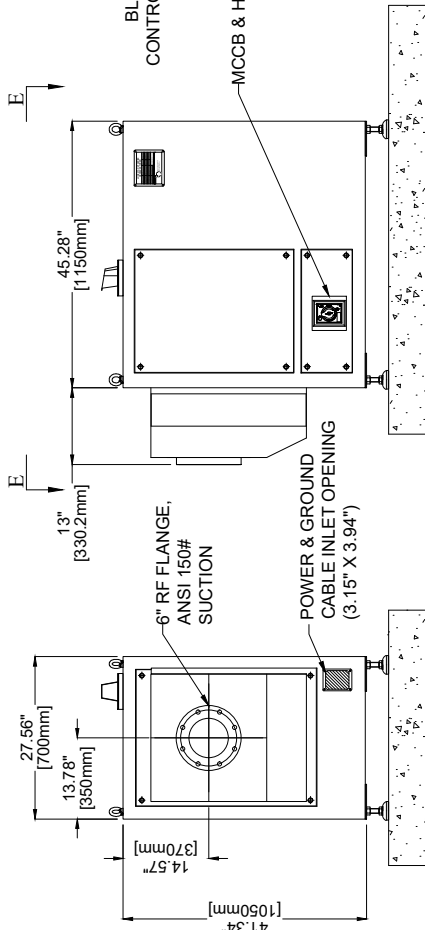
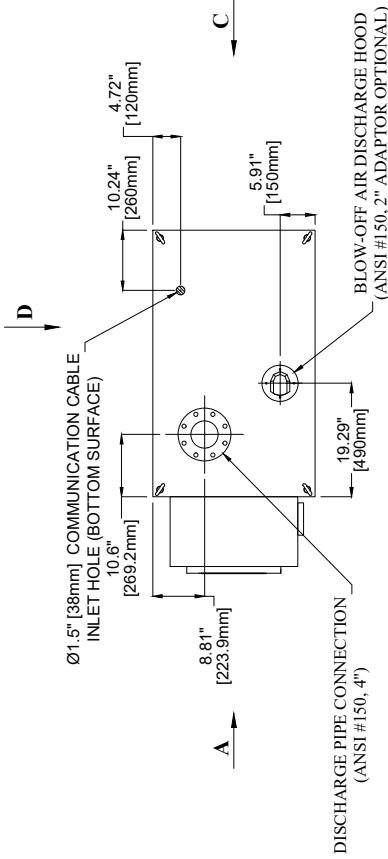
Air and Pressure



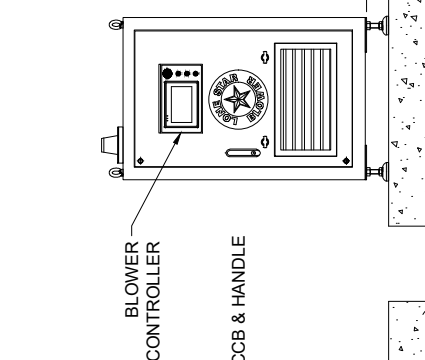
* Information is approximate and can change without notice
 * Performance Based on 1 Atm, 68F/20C, 36% RH and 3550 rpm

REV	DESCRIPTION	DATE	APPROVED

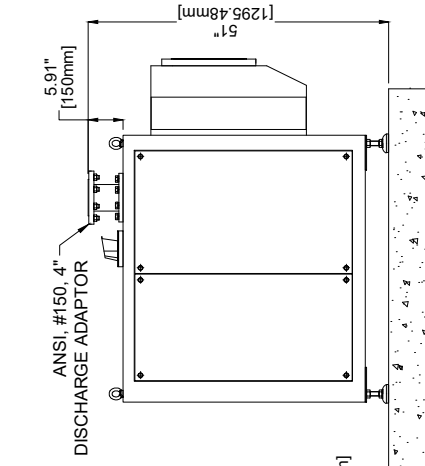
VIEW "E-E"
(LOOKING DOWNWARD)



VIEW "A"
(REAR SIDE)



VIEW "C"
(FRONT SIDE)



VIEW "D"
(RIGHT SIDE)

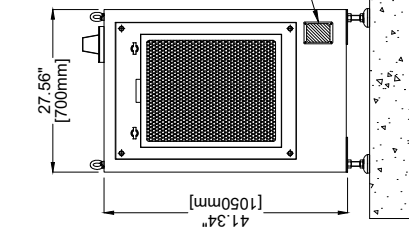
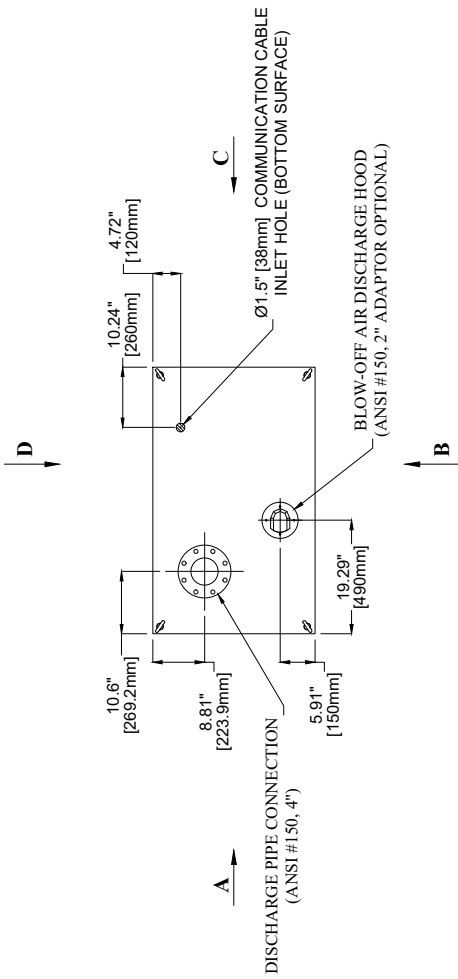
VIEW "B"
(LEFT SIDE)

	DRAWING IS FOR REFERENCE ONLY UNLESS SPECIFIED AS RELEASED.	
	APPROVALS	DATE
DRAWN	JMC	02/18/2020
CHECK		
ENGINEER		
MANUFACTURING		
CONTROL		
APPROVED		
UNLESS OTHERWISE SPECIFIED DO NOT SCALE LONE STAR BLOWER PROPRIETARY RIGHTS ARE INCLUDED HEREIN. THIS INFORMATION MAY NOT BE COPIES, TRANSFERRED, OR DISCLOSED, EXCEPT AS AUTHORIZED BY LONE STAR BLOWER.		
TITLE DT SERIES – FLANGED OPTION BLOWER MAX15-C060		
SIZE	CAGE CODE	DWG NUMBER
A		MAX15-C060F
SCALE		REV
		0

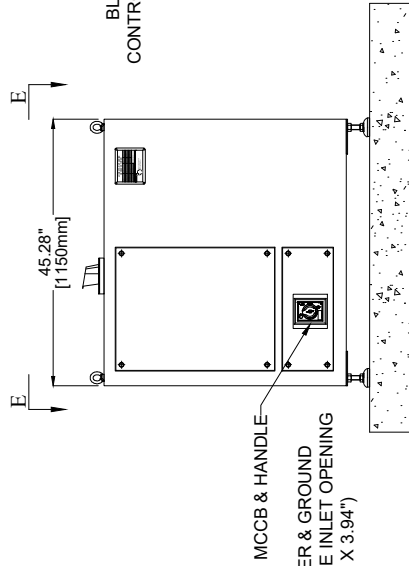
MODELS	WEIGHT
MAX15-C060	660 LBS (300 KG)

REV	DESCRIPTION	DATE	APPROVED

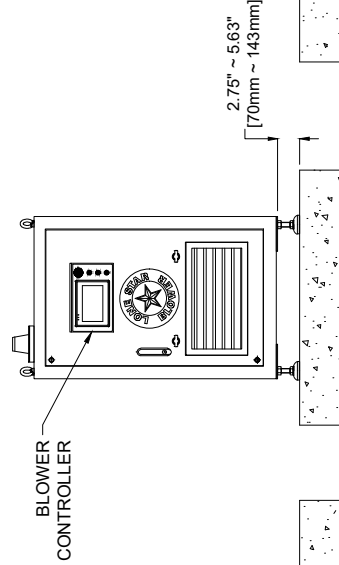
VIEW "E-E"
(LOOKING DOWNWARD)



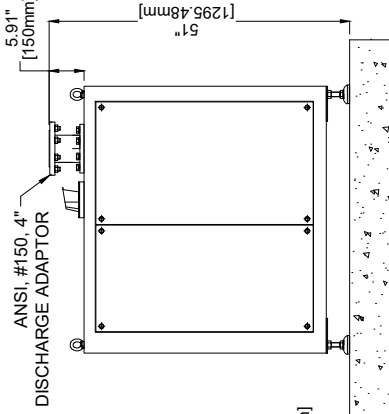
VIEW "A"
(REAR SIDE)



VIEW "B"
(LEFT SIDE)



VIEW "C"
(FRONT SIDE)



VIEW "D"
(RIGHT SIDE)

MODELS	WEIGHT
MAX15-C060	550 LBS (250 KG)

		LONE STAR BLOWER	
DRAWING IS FOR REFERENCE ONLY UNLESS SPECIFIED AS RELEASED.		TITLE DT SERIES - LOUVER OPTION BLOWER MAX15-C060	
UNLESS OTHERWISE SPECIFIED DO NOT SCALE LONE STAR BLOWER PROPRIETARY RIGHTS ARE INCLUDED HEREIN. THIS INFORMATION MAY NOT BE COPIES, TRANSFERRED, OR DISCLOSED, EXCEPT AS AUTHORIZED BY LONE STAR BLOWER.		APPROVALS DRAWN: JMC CHECK: [] ENGINEER: [] MANUFACTURING CONTROL: [] APPROVED: []	
THIRD ANGLE PROJECTION 		DATE: 02/18/2020 DWG NUMBER: MAX15-C060L SCALE: 1 OF 1	